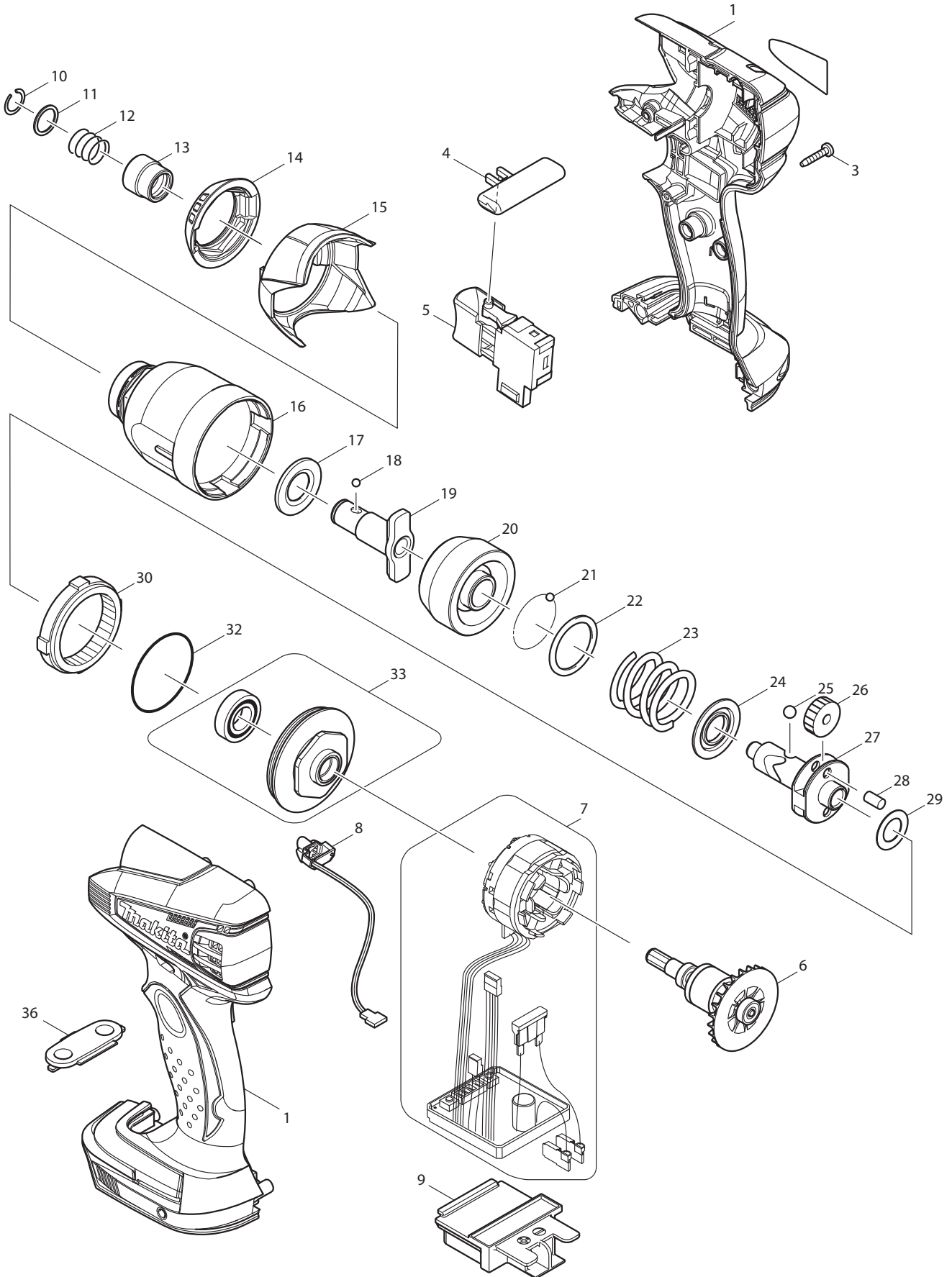




08 - 2010
BTD132 / BTD132Z
14.4V BRUSHLESS IMPACT DRIVER



Item No	Type	Ref	Part No	Description	Qty	Unit
1			188600-7	HOUSING SET	1	SET
3			266130-9	TAPPING SCREW BIND PT 3X16	9	PC.
4			419041-9	F/R CHANGE LEVER	1	PC.
5			650607-8	SWITCH	1	PC.
6			619239-0	ROTOR	1	PC.
7	1		629099-2	STATOR (TYPE 1)	1	PC.
	2		638666-2	STATOR UNIT (TYPE 2)	1	PC.
		INC.	194908-9	CONTROLLER SET	1	PC.
		INC.	194909-7	STATOR SET	1	PC.
8			631829-9	LED CIRCUIT	1	PC.
9			643832-8	TERMINAL	1	PC.
10			231951-8	RING SPRING 11	1	PC.
11			267085-1	FLAT WASHER 12	1	PC.
12			233005-7	COMPRESSION SPRING 13	1	PC.
13			324878-0	SLEEVE	1	PC.
14	1		424153-5	* BUMPER	1	PC.
	2		424362-6	* BUMPER	1	PC.
15	1		450792-5	* HAMMER CASE COVER	1	PC.
	2		452293-9	* HAMMER CASE COVER	1	PC.
16			154590-6	HAMMER CASE COMPLETE	1	PC.
17			261108-7	NYLON WASHER 14	1	PC.
18			216001-0	STEEL BALL 3.5	2	PC.
19			324870-6	ANVIL M	1	PC.
20			324583-9	HAMMER	1	PC.
21			216001-0	STEEL BALL 3.5	24	PC.
22			267175-0	FLAT WASHER 24	1	PC.
23			233430-2	COMPRESSION SPRING 24	1	PC.
24			267766-7	CUP WASHER 14	1	PC.
25			216011-7	STEEL BALL 5.6	2	PC.
26			227233-4	SPUR GEAR 22	2	PC.
27			324552-0	SPINDLE	1	PC.
28			256253-1	PIN 5	2	PC.
29			267212-0	FLAT WASHER 12	1	PC.
30			227150-8	INTERNAL GEAR 51	1	PC.
32			213507-9	O RING 40	1	PC.
33			158145-9	BEARING BOX COMPLETE	1	PC.
36			158856-6	SWITCH PLATE COMPLETE	1	PC.
50			251314-2	+ SCREW M4X12(FOR HOOK)	1	PC.

ACCESSORIES

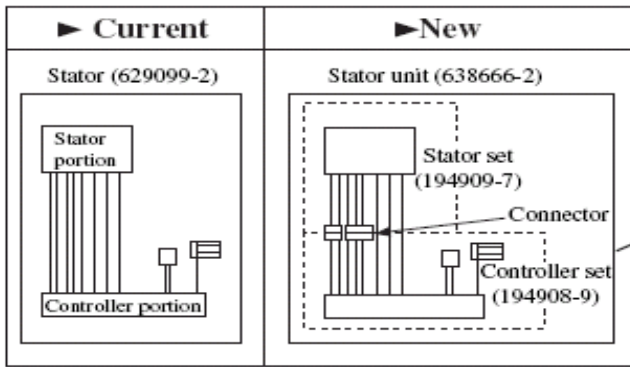
- See catalogue or visit www.makita.ca for more accessories -

A01	1		324705-1	* HOOK	1	PC.
	2		346449-3	* HOOK	1	PC.
A02	1		DC18RA	FAST CHARGER DC18RA	1	PC.
	2		DC18RC	FAST CHARGER DC18RC	1	PC.
			DC18SE	12V AUTOMOTIVE CHARGER DC18SE	1	PC.
			DC18RAKIT	CHARGER+BATTERY(DC18RA+BL1830)	1	KIT
A03			194066-1	14.4V LI-ION BATTERY BL1430(3.0AH)	1	PC.
			194397-8	14.4V LI-ION BATTERY BL1430, 2PC/PK	1	PK
A04			450128-8	BATTERY COVER	1	PC.

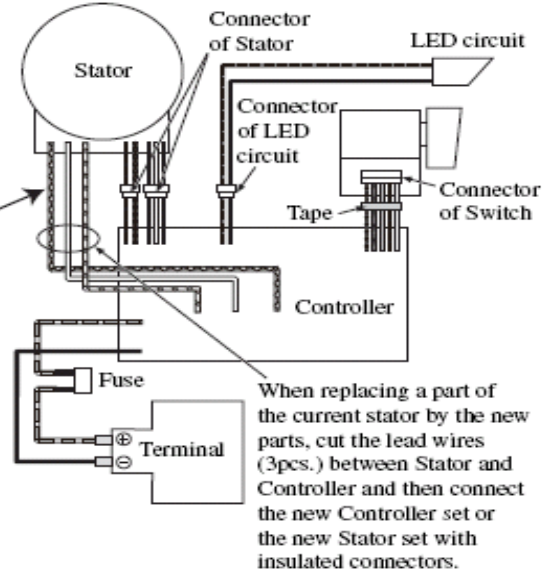
Item No	Type	Ref	Part No	Description	Qty	Unit
A05			824753-5	PLASTIC CARRYING CASE	1	PC.
	INC.		324207-7	SHAFT	1	PC.
	INC.		413098-2	PLATE	4	PC.
	INC.		417724-5	LATCH	2	PC.
	INC.		419215-2A	PLASTIC CASE LID, TAB TYPE	1	PC.
	INC.		419216-0	HANDLE	1	PC.
A06			166070-0	SHOULDER BELT	1	PC.
A07			763067-6	3/8" DRILL CHUCK	1	PC.
A08			784202-3	PHILLIPS BIT 2-45	1	PC.
			784203-1	PHILLIPS BIT 2-65	1	PC.
A09			784643-3	CONNECT BIT 6.35-44 (F/DRILL CHUCK)	1	PC.
A10			763415-9	CHUCK KEY (F/DRILL CHUCK# 763067-6)	1	PC.

SERVICE CHANGES

1. CHANGES ON CIRCUIT DIAGRAM:



Circuit diagram including new Stator unit

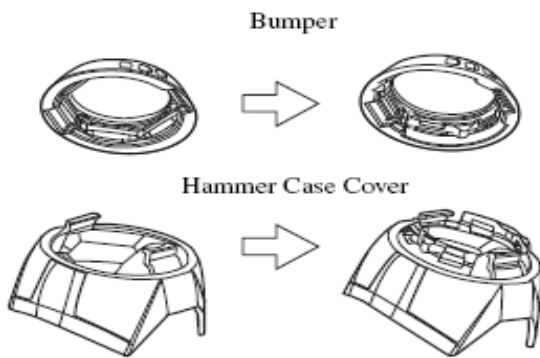


Color index of lead wires' sheath			
Black		Orange	
White		Blue	
Red		Gray	
Yellow			

2. CHANGES ON BUMPER AND HAMMER CASE COVER

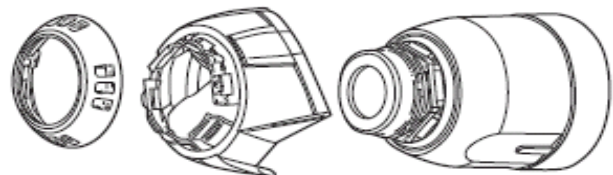
Item No.	Description	Type1	Type2
14	Bumper	424153-5	424362-6
15	Hammer Case Cover	450792-5	452293-9

*Above parts are completely interchangeable as a set.



Current: Bumper was fit to the groove of Hammer case.

New: Bumper is fit to the protrusions of Hammer case cover as illustrated below.



3. Changes on Hook

Item No.	Description	Type 1	Type 2
A01	Hook	324705-1	346449-3

